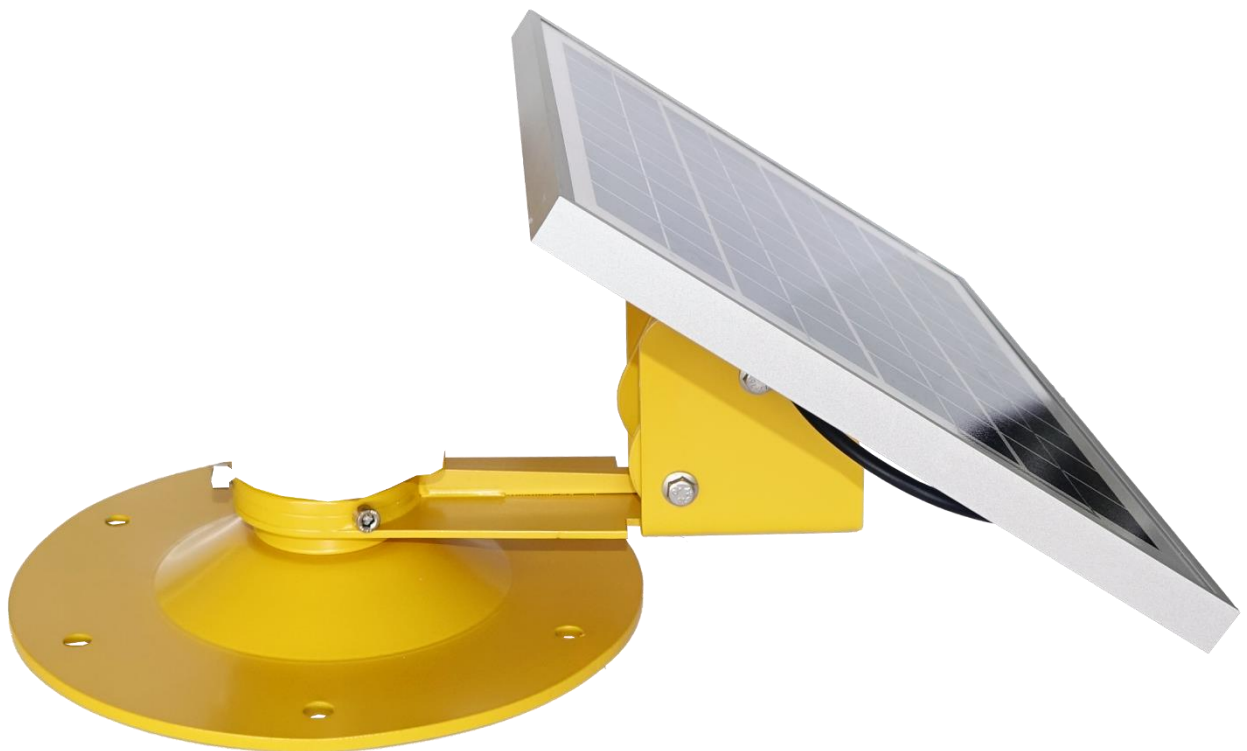


Solar panel with mounting system

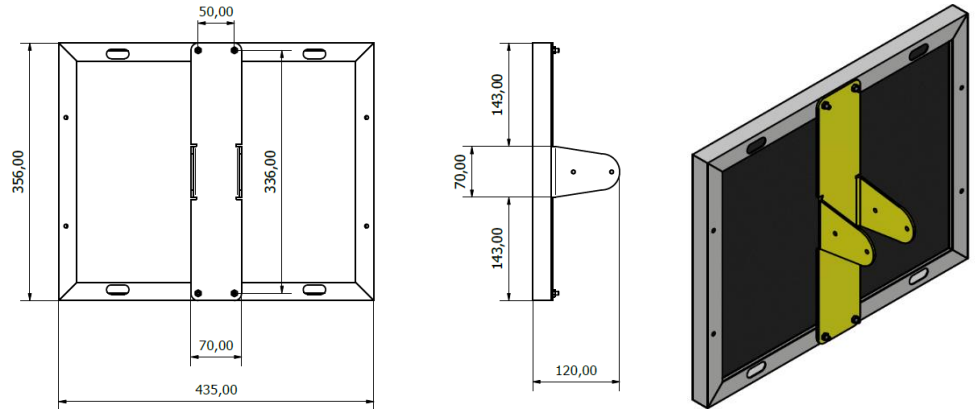


Product Code	<p>AL - 141 - AX - 40W (optional 20W) for Polaris V1</p> <p>Series Indicator (Airfield Lighting) AL Product Indicator 141 Description of product type (Accessory) AX</p>
	<p>AL - 163 - AX - 20W (optional 10W) for Polaris V2</p> <p>Series Indicator (Airfield Lighting) AL Product Indicator 163 Description of product type (Accessory) AX</p>
Description	<p>The Solar Panel is made of mono or poly crystalline silicon solar cells and the power capacity can be customized on request.</p>
Environment	<p>Operating temperature: -40°C to 85°C</p>
Mechanical Characteristics	<p>Solar Panel 40W for Polaris V1</p> <p>Dimensions: 540x510x85mm</p>

**Mechanical
Characteristics**

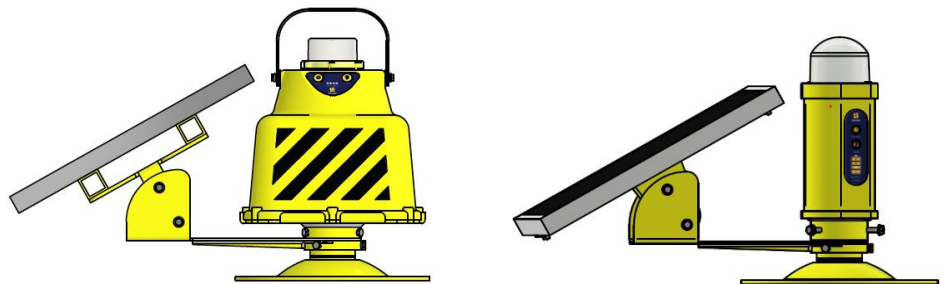
Solar Panel 20W for Polaris V2

Dimensions: 435x356x120mm



Mounting

The solar panel and its mounting system are designed to be compatible with the frangible support of all Polaris lamps.



**Electrical
Characteristics**

Max power: 40W for Polaris V1
20W for Polaris V2



Signalight

+40 254 515 465
office@signalight.com

36 Lunca Street, Petrosani,
Hunedoara County, Romania

www.signalight.com